

Designed by GamFratesi

PRODUCT



// Marble base plate cover - see appendix 1

COLOURS



// Green marble // black



// White marble // black



// Black marble // black



// Green marble // brass



// White marble // brass



// Black marble // brass

DESCRIPTION

TS Table is designed by GamFratesi. TS Column Table is available in three heights with a marble table top, black lacquered//brass frame. A marble base plate cover can be added to the table.

VERSION

Bianco Carrara - white marble top // black lacquered frame / RAL 9005 gloss 15 // brass frame
 Nero Marquina - black marble top // black lacquered frame / RAL 9005 gloss 15 // brass frame
 Verde Guatemala - green marble top // black lacquered frame / RAL 9005 gloss 15 // brass frame

TYPES

Order item - look for part number in the pricelist.
 The series consists of the following:

TS TABLE Ø40, TS TABLE Ø55, TS TABLE Ø80, TS TABLE Ø105, TS TABLE ROUND CONSOLE Ø40, TS TABLE 2 CONSOLE, TS TABLE 1 CONSOLE, TS DESK 120x60, TS COLUMN TABLES



FACTS

MEASUREMENT

Lounge height: 600 mm
 Dining height: 720 mm
 Bar height: 1050 mm
 Width: 600-1500mm (Depending on table top)
 Table top diameter: 600-1500 mm (Marble Ø600-800 has straight edge)
 Table top thickness: 20 mm
 Leg diameter: 30 mm

WEIGHT ITEM

Table tops	Frames
Ø60 Marble table top: 15kg	Lounge for Ø80 top: 28,5kg
Ø80 Marble table top: 27kg	Lounge for Ø110-150 top: 50,5kg
Ø110 Marble table top: 52kg	Dining for Ø80 top: 29,5kg
Ø130 Marble table top: 71kg	Dining for Ø110-150 top: 51,5
Ø150 Marble table top: 97kg	Bar for Ø60-80 top: 31,5

PACKAGING TYPE

Cardboard box, Chipboard, Foam

PACKAGING MEASUREMENT L X W X H CM

Table top Ø60: L: 70 X W:70 X H: 6,5 CM	Lounge Column: L: 25 X W: 25 X H: 60 CM
Table top Ø80: L: 90 X W:90 X H: 6,5 CM	Dining Column: L: 25 X W: 25 X H: 72 CM
Table top Ø110: L: 120 X W:120 X H: 6,5 CM	Bar Column: L: 25 X W: 25 X H: 105 CM
Table top Ø130: L: 140 X W:140 X H: 6,5 CM	Base plate (Table Ø60-80): L: 60 X W: 60 X H: 5 CM
Table top Ø150: L: 160 X W:160 X H: 6,5 CM	Base plate (Table Ø110-150): L: 80 X W: 80 X H: 5 CM
	Top plate (Table Ø60-80): L: 60 X W: 60 X H: 5 CM
	Top plate (Table Ø110-150): L: 80 X W: 80 X H: 5 CM

WEIGHT PACKAGING - MATERIAL TYPE

Marble Table top:	Packaging Table frame:
- Delivery note: 5 g	- Delivery note: 5 g
- Foam protector: 50 g	- Foam protector: 150 g
- Screws: 50 g	- Strapping: 10 g
- Chipboard:	- Cardboard
- Chipboard Ø60: 10500 g	- Cardboard Lounge (Ø80): 2300 g
- Chipboard Ø80: 14000 g	- Cardboard Lounge (Ø110-150): 2500 g
- Chipboard Ø110: 38000 g	- Cardboard Dining (Ø80): 2500 g
- Chipboard Ø130: 45000 g	- Cardboard Dining (Ø110-150): 2700 g
- Chipboard Ø150: 53000 g	- Cardboard Bar (Ø80): 3000 g
Packaging marble top Ø60: 10,6kg	Packaging Frame Lounge (Ø80): 2,5 kg
Packaging marble top Ø80: 14,1 kg	Packaging Frame Lounge (Ø110-150): 2,7 kg
Packaging marble top Ø110: 38,1 kg	Packaging Frame Dining (Ø80): 2,7 kg
Packaging marble top Ø130: 45,1 kg	Packaging Frame Dining (Ø110-150): 2,9 kg
Packaging marble top Ø150: 53,1 kg	Packaging Frame bar (Ø60-80): 3,2 kg

Packaging Total: Packaging table top + Packaging frame

WEIGHT TOTAL (WITH MARBLE TOP):

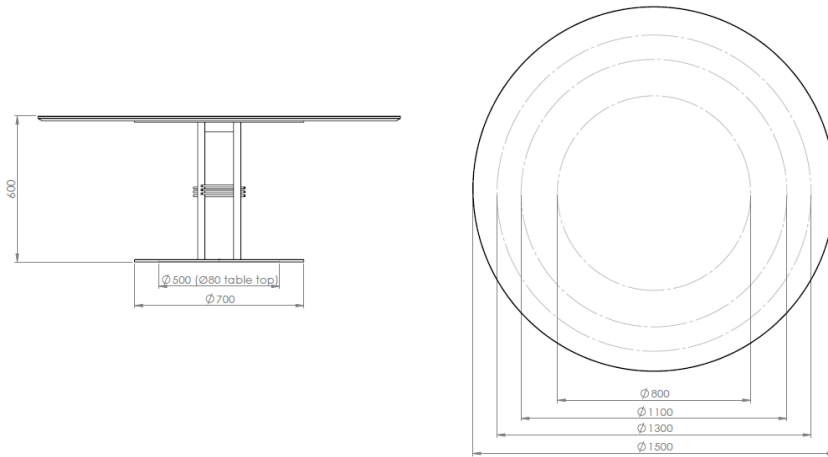
Lounge Ø80: 72kg	Dining Ø110: 145kg
Lounge Ø110: 143kg	Dining Ø130: 171kg
Lounge Ø130: 169kg	Dining Ø150: 205kg
Lounge Ø150: 203kg	Bar Ø60: 60kg
Dining Ø80: 72kg	Bar Ø80: 76kg

NUMBER OF PARCELS

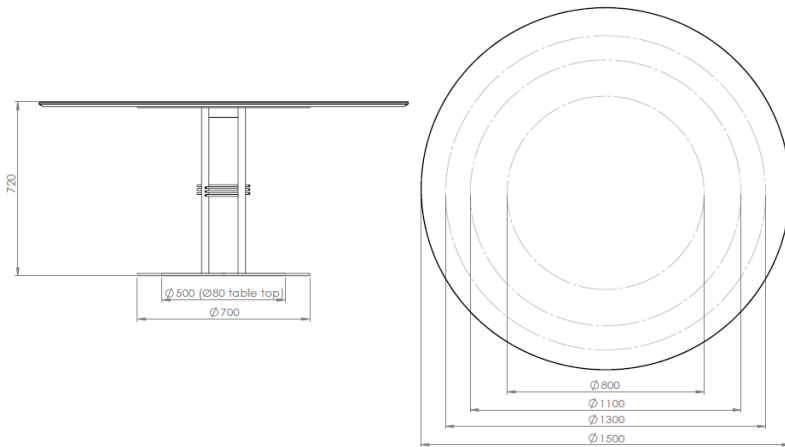
4 psc. (1 TABLE TOP + 1 COLUMN + 1 BASE PLATE + 1 TOP PLATE)

MEASUREMENTS

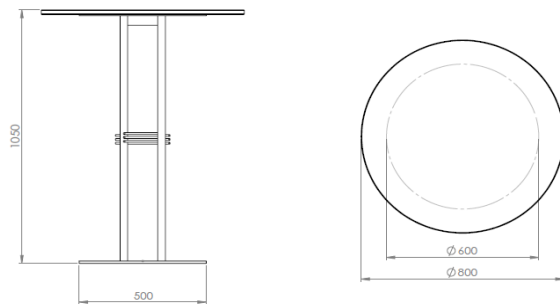
Lounge Table:



Dining Table:



Bar table:



CLEANING AND MAINTENANCE

Black Lacquered Metal Frame

Daily cleaning is done by wiping the frame with a clean dry cloth, or with a cloth hardly wrung in clean water. Dirty surfaces are cleaned with a hardly wrung cloth out of soapy water or in water with added liquid soap. Wipe after with a clean dry cloth.

Marble Top

For marble maintenance, see the included marble instruction sheet.

ENVIRONMENT

Parts can be separated and sorted for recycling.

TESTS

-

CERTIFICATION AND LABELS

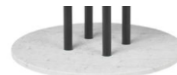
-

APPENDIX 1 // TS COLUMN TABLE // MARBLE BASE PLATE COVER

PRODUCT



COLOURS



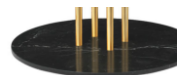
// White marble // black



// Black marble // black



// White marble // brass



// Black marble // brass

DESCRIPTION

The marble base plate covers comes in two colors of marble; black and white.

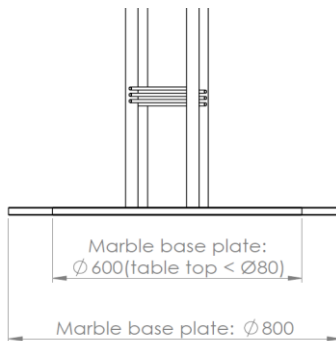
Marble is a natural product and the structure and appearance of each piece is unique. When you choose to have the table top and the base plate cover in the same marble type the plates could be cut from two different places of the stone and the structure and appearance would most likely be a bit different from each other.

N.B. DO NOT tilt the table - this will add too much stress to the marble. Only lift the table by the metal frame. Do not lift table by the marble table top.

VERSION

Bianco Carrara - white marble top // black lacquered frame / RAL 9005 gloss 15 // brass frame
 Nero Marquina - black marble top // black lacquered frame / RAL 9005 gloss 15 // brass frame

MEASUREMENTS



FACTS

MEASUREMENT

Marble base plate width: 600mm (For table tops up to 800mm)
 Marble base plate width: 800mm (For table tops 1100mm and bigger)
 Marble base plate thickness: 20 mm

WEIGHT ITEM

Marble base plate cover:
 Ø60 Marble base plate cover: 11 kg
 Ø80 Marble base plate cover: 18kg

PACKAGING TYPE

Chipboard, Foam

PACKAGING MEASUREMENT L X W X H CM

Marble base plate cover Ø60: L: 70 X W:70 X H: 6.5 CM
 Marble base plate cover Ø80: L: 90 X W:90 X H: 6.5 CM

WEIGHT PACKAGING - MATERIAL TYPE

Marble base plate cover weight:
 - Delivery note: 5 g
 - Foam protector: 50 g
 - Screws: 50 g
 - Chipboard:
 - Chipboard Ø60: 10500 g
 - Chipboard Ø80: 14000 g
 Packaging marble base plate cover Ø60: 10,6kg
 Packaging marble base plate cover Ø80: 14,1 kg

Packaging Total:

Packaging table top (page 1) + Packaging frame (page 1) + Packaging Marble base plate cover

WEIGHT TOTAL (WITH THE MARBLE BASE PLATE COVER ADDED):

Lounge Ø80: 94kg	Dining Ø110: 177kg
Lounge Ø110: 175kg	Dining Ø130: 203kg
Lounge Ø130: 201kg	Dining Ø150: 237kg
Lounge Ø150: 235kg	Bar Ø60: 82kg
Dining Ø80: 94kg	Bar Ø80: 97kg

Designed by GamFratesi

PRODUCT



// Marble base plate cover - see appendix 1

COLOURS

// Table top Wood veneer



// Table top American Walnut



// Table top Oak



// Frame color/finish



DESCRIPTION

TS Table is designed by GamFratesi. TS Column Table is available in three heights with a wood veneer table top, black lacquered/brass frame. A marble base plate cover can be added to the table.

VERSION

Blackstained ash top / Gloss level 20 - 30 // black lacquered frame / RAL 9005 gloss 15 // brass frame
 American Walnut top / Gloss level 20 - 30 // black lacquered frame / RAL 9005 gloss 15 // brass frame
 Oak top / Gloss level 20 - 30 // black lacquered frame / RAL 9005 gloss 15 // brass frame

TYPES

Order item - look for part number in the pricelist.
 The series consists of the following:

TS TABLE Ø40, TS TABLE Ø55, TS TABLE Ø80, TS TABLE Ø105, TS TABLE ROUND CONSOLE Ø40, TS TABLE 2 CONSOLE, TS TABLE 1 CONSOLE, TS DESK 120x60, TS COLUMN TABLES



FACTS

MEASUREMENT

Lounge height: 600 mm
 Dining height: 720 mm
 Bar height: 1050 mm
 Width: 600-1500mm (Depending on table top)
 Table top diameter: 600-1500 mm
 Table top thickness: 25 mm
 Leg diameter: 30 mm

WEIGHT ITEM

Table tops
 Ø60 Wood table top: 5kg
 Ø80 Wood table top: 8kg
 Ø110 Wood table top: 15kg
 Ø130 Wood table top: 20kg
 Ø150 Wood table top: 26kg

Frames

Lounge for Ø80 top: 28.5kg
 Lounge for Ø110-150 top: 50.5kg
 Dining for Ø80 top: 29.5kg
 Dining for Ø110-150 top: 51.5
 Bar for Ø60-80 top: 31.5

PACKAGING TYPE

Cardboard box, Wood, Foam

PACKAGING MEASUREMENT L X W X H CM

Table top Ø60: L: 70 X W:70 X H: 5 CM
 Table top Ø80: L: 90 X W:90 X H: 5 CM
 Table top Ø110: L: 120 X W:120 X H: 5 CM
 Table top Ø130: L: 140 X W:140 X H: 5 CM
 Table top Ø150: L: 160 X W:160 X H: 5 CM

Lounge Column: L: 25 X W: 25 X H: 60 CM
 Dining Column: L: 25 X W: 25 X H: 72 CM
 Bar Column: L: 25 X W: 25 X H: 105 CM
 Base plate (Table Ø60-80): L: 60 X W: 60 X H: 5 CM
 Base plate (Table Ø110-150): L: 80 X W: 80 X H: 5 CM
 Top plate (Table Ø60-80): L: 60 X W: 60 X H: 5 CM
 Top plate (Table Ø110-150): L: 80 X W: 80 X H: 5 CM

WEIGHT PACKAGING - MATERIAL TYPE

Wood Table top:
 - Delivery note: 5 g
 - Foam protector: 50 g
 - Screws: 50 g
 - Wood and cardboard box
 - Wood and cardboard Ø60: 4895 g
 - Wood and cardboard Ø80: 4895 g
 - Wood and cardboard Ø110: 7895 g
 - Wood and cardboard Ø130: 8895 g
 - Wood and cardboard Ø150: 9895 g

Packaging Table frame:

- Delivery note: 5 g
 - Foam protector: 150 g
 - Strapping: 10 g
 - Cardboard
 - Cardboard Lounge (Ø80): 2300 g
 - Cardboard Lounge (Ø110-150): 2500 g
 - Cardboard Dining (Ø80): 2500 g
 - Cardboard Dining (Ø110-150): 2700 g
 - Cardboard Bar (Ø80): 3000 g

Packaging wood top Ø60: 5kg
 Packaging wood top Ø80: 5 kg
 Packaging wood top Ø110: 8 kg
 Packaging wood top Ø130: 9 kg
 Packaging wood top Ø150: 10 kg

Packaging Frame Lounge (Ø80): 2,5 kg
 Packaging Frame Lounge (Ø110-150): 2,7 kg
 Packaging Frame Dining (Ø80): 2,7 kg
 Packaging Frame Dining (Ø110-150) 2,9 kg
 Packaging Frame bar (Ø60-80) 3,2 kg

Packaging Total: Packaging table top + Packaging frame

WEIGHT TOTAL (WITH WOOD TOP):

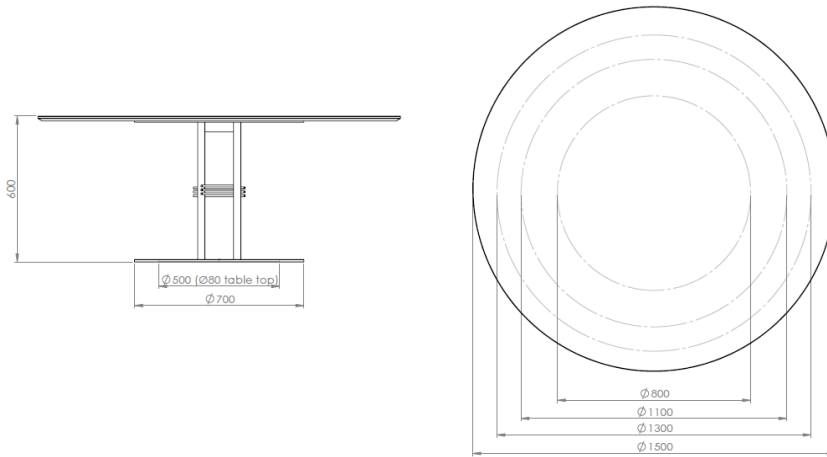
Lounge Ø80: 44kg
 Lounge Ø110: 76kg
 Lounge Ø130: 82kg
 Lounge Ø150: 89kg
 Dining Ø80: 44kg
 Dining Ø110: 78kg
 Dining Ø130: 84kg
 Dining Ø150: 91kg
 Bar Ø60: 44kg
 Bar Ø80: 48kg

NUMBER OF PARCELS

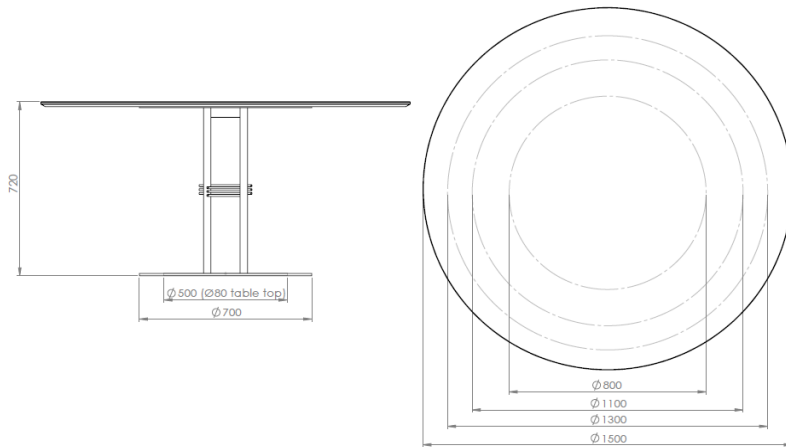
4 psc. (1 TABLE TOP + 1 COLUMN + 1 BASE PLATE + 1 TOP PLATE)

MEASUREMENTS

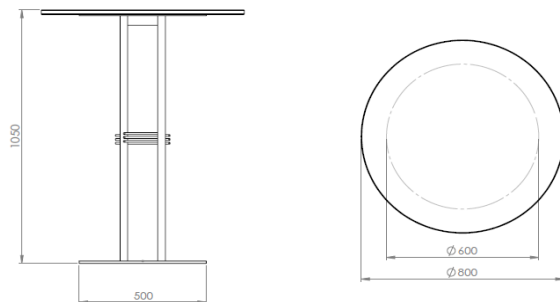
Lounge Table:



Dining Table:



Bar table:



CLEANING AND MAINTENANCE

For dusting and light cleaning of the frame and table top use a soft, dry cloth.
 For further cleaning of the frame, use a soft cloth that is firmly wrung in clean water for gently wiping the surface, and then immediately use a dry cloth to wipe the surface again.
 If more thorough cleaning is necessary, use a mild detergent dissolved in water on a firmly wrung cloth to wipe the seat.
 Afterwards, repeat the process with clean water as described above.
 Polish with a soft cloth after wiping.

Do not use materials for maintenance that:

- Contain abrasive agents.
- Are basic, acidiferous or organic.

For the best maintenance of the product, protect it against sunlight and heat, and try to keep it away from moisture, grease and other dirt.

Furthermore, protect the surfaces against sharp objects and other that might scratch.

ENVIRONMENT

Parts can be separated and sorted for recycling.

TESTS

-

CERTIFICATION AND LABELS

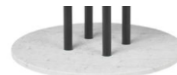
-

APPENDIX 1 // TS COLUMN TABLE // MARBLE BASE PLATE COVER

PRODUCT



COLOURS



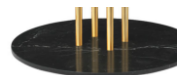
// White marble // black



// Black marble // black



// White marble // brass



// Black marble // brass

DESCRIPTION

The marble base plate covers comes in two colors of marble; black and white.

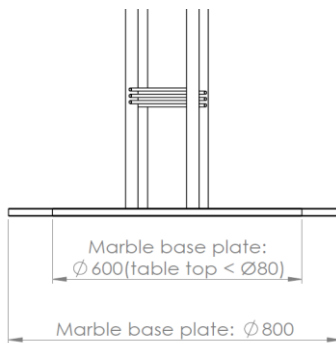
Marble is a natural product and the structure and appearance of each piece is unique.

N.B. DO NOT tilt the table - this will add too much stress to the marble. Only lift the table by the metal frame. Do not lift table by the table top.

VERSION

Bianco Carrara - white marble top // black lacquered frame / RAL 9005 gloss 15 // brass frame
 Nero Marquina - black marble top // black lacquered frame / RAL 9005 gloss 15 // brass frame

MEASUREMENTS



FACTS

MEASUREMENT

Marble base plate width: 600mm (For table tops up to 800mm)
 Marble base plate width: 800mm (For table tops 1100mm and bigger)
 Marble base plate thickness: 20 mm

WEIGHT ITEM

Marble base plate cover:
 $\varnothing 60$ Marble base plate cover: 11kg
 $\varnothing 80$ Marble base plate cover: 18kg

PACKAGING TYPE

Chipboard, Foam

PACKAGING MEASUREMENT L X W X H CM

Marble base plate cover $\varnothing 60$: L: 70 X W: 70 X H: 6,5 CM
 Marble base plate cover $\varnothing 80$: L: 90 X W: 90 X H: 6,5 CM

WEIGHT PACKAGING - MATERIAL TYPE

Marble base plate cover weight:
 - Delivery note: 5 g
 - Foam protector: 50 g
 - Screws: 50 g
 - Chipboard:
 - Chipboard $\varnothing 60$: 10500 g
 - Chipboard $\varnothing 80$: 14000 g
 Packaging marble base plate cover $\varnothing 60$: 10,6kg
 Packaging marble base plate cover $\varnothing 80$: 14,1 kg

Packaging Total:

Packaging table top (page 1) + Packaging frame (page 1) + Packaging Marble base plate cover

WEIGHT TOTAL (WITH THE MARBLE BASE PLATE COVER ADDED):

Lounge $\varnothing 80$: 66kg	Dining $\varnothing 110$: 110kg
Lounge $\varnothing 110$: 108kg	Dining $\varnothing 130$: 116kg
Lounge $\varnothing 130$: 114kg	Dining $\varnothing 150$: 123kg
Lounge $\varnothing 150$: 141kg	Bar $\varnothing 60$: 66kg
Dining $\varnothing 80$: 66kg	Bar $\varnothing 80$: 69kg