

---

# Gio

ARMCHAIRS

*Antonio Citterio*



## Description

Gio, designed by Antonio Citterio, is the new series with a contemporary classic accent dedicated to living in the open air. A complete range of sofas, end units, chaise longue, sunbeds, armchairs, chairs, tables and complements which have been developed from solid teak structures with a special antique grey finish, which gives the wood a particular lived-in aspect and silver-grey reflective quality. To ensure a better insulation from the weather, all the padded elements have a polyester cover with waterproof treatment, and the fabrics are certified for resistance to weathering, UV rays, chlorine and sea spray.

---

## Technical information

### Frame:

solid antique grey teakwood

### Webbing:

tortora thermoplastic material

### Upholstery:

high density polyester fibre

### Ferrules:

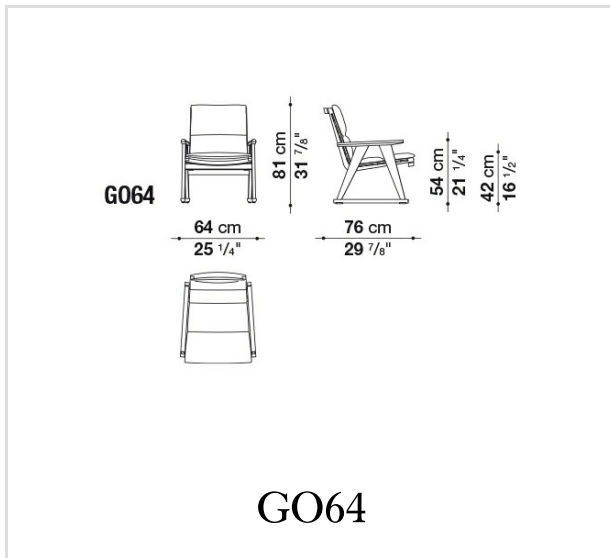
thermoplastic material

### Cover cloth:

polyester on synthetic support

---

# Technical drawings



B&B Italia reserves the right to make technological and aesthetic improvements to its models, including changes to the sizes and materials, without notice. The technical drawings do not define the details of the product. The measurements shown are indicative and may undergo changes. In particular, the dimensions relevant to the padded parts are subject to usage tolerances over time caused by the normal adjustment of the padding. For the specific information, please contact the dealer closest to you.