

# HUG

BY CLAESSION KOIVISTO RUNE

2013

<b>Categorie</b>	Poltrone, divani, sedie, tavoli.
<b>Struttura</b>	Metallo.
<b>Molleggio</b>	Sedile cinghie elastiche.
<b>Imbottitura seduta</b>	Poliuretano schiumato in stampo / fibra di poliestere.
<b>Imbottitura schienale</b>	Poliuretano schiumato in stampo / fibra di poliestere.
<b>Profili in legno</b>	Essenza tinto noce Canaletto, wengé, rovere o cioccolato.
<b>Basamento</b>	Metallo laccato nero, grafite, bianco o brunito e scivolanti protettivi regolabili in polietilene nero.
<b>Rivestimento</b>	Tessuto o pelle. Totalmente sfoderabile, ad eccezione della versione in pelle.

<b>Categories</b>	Armchairs, sofas, chairs, tables.
<b>Structure</b>	Metal.
<b>Springing</b>	Seat elastic straps.
<b>Seat upholstery</b>	Moulded polyurethane foam / polyester slip cover.
<b>Backrest upholstery</b>	Moulded polyurethane foam / polyester slip cover.
<b>Wooden details</b>	Walnut Canaletto or wengé or oak or chocolate painted.
<b>Base</b>	Black or grafite or white or burnished lacquered metal and protective polyethylene black glides.
<b>Cover</b>	Fabric or leather. Fully removable cover, except for leather version.

<b>Catégories</b>	Fauteuils, canapés, chaises, tables.
<b>Structure</b>	Métal.
<b>Suspension</b>	Assise sangles élastiques.
<b>Rébourrage assise</b>	Polyuréthane moulé / fibre polyester.
<b>Rébourrage dossier</b>	Polyuréthane moulé / fibre polyester.
<b>Détails en bois</b>	Teinté noyer Canaletto ou wengé ou chêne ou chocolat.
<b>Base</b>	Métal laqué noir ou grafite ou blanc ou bruni et patins de protection en polyéthylène noir.
<b>Revêtement</b>	Tissu ou cuir. Entièrement déhoussable, sauf pour la version en cuir.

<b>Kategorien</b>	Sessel, Sofas, Stühle, Tische.
<b>Struktur</b>	Metall.
<b>Federung</b>	Sitz elastische Bänder.
<b>Sitzpolsterung</b>	Formpolster Pu-Schaum / Faserbezug.
<b>Rückenlehnepolsterung</b>	Formpolster Pu-Schaum / Faserbezug.
<b>Holzteile</b>	Nussbaum Canaletto oder Wengé oder Eiche oder Schokolade gebeizt.
<b>Basis</b>	Schwarz oder Grafite oder weiss oder bruniert lackiertes Metall und schwarze Polyethylene Gleiter.
<b>Bezug</b>	Stoff oder Leder. Total abziehbar, mit Ausnahme der Lederversion.

## FIREPROOF FABRICS

**BS 5852 Cigarette test** - Aran, Bouclé, Brest, Divina MD Kvadrat, Hero Kvadrat, Lama, Lucky, Steelcut 2 Kvadrat, Swing - **BS 5852 Crib 5** - Blog, Divina MD Kvadrat, Lucky, Soho, Swing - **BS 5867** - Divina MD Kvadrat, Lucky, Swing - **BS 7176** - Lucky - **California TB 117-2013** Aran, Blog, Brest, Divina MD Kvadrat, Hero Kvadrat, Lama, Soho, Steelcut 2 Kvadrat, Swing **Classe 1 IM** - Divina MD Kvadrat, Hero Kvadrat, Lama, Soho, Steelcut 2 Kvadrat, Swing - **EN ISO 1021 1/2** - Blog, Divina MD Kvadrat, Hero Kvadrat, Lama, Soho, Steelcut 2 Kvadrat **IMO FTP CODE 2010** - Blog, Divina MD Kvadrat, Hero Kvadrat, Lucky, Steelcut 2 Kvadrat **DIN 4102 T1** - Lucky - **IMO A.652 (16)** - Blog, Soho **DIN 4102 B2** - Steelcut 2 Kvadrat - **NF D60 013** - Divina MD Kvadrat, Hero Kvadrat, Steelcut 2 Kvadrat - **NFPA 260** - Divina MD Kvadrat, Swing - **AS.NZS 1530.3** - Divina MD Kvadrat - **AS.NZS 3837** - Hero Kvadrat, Steelcut 2 Kvadrat - **ONORM B1/Q1** - Divina MD Kvadrat, Steelcut 2 Kvadrat - **UNI 9177 Class 1** - Swing - **BS 476 Part 7:1987** - Swing



Hug love seat  
Infinity small table  
Capilano small table



Hug love seat



**arflex**

I colori sono da considerarsi puramente indicativi / Colors are to be considered as purely indicative 2020 - Rev. 0.0 -  
Seven Salotti S.p.A - All rights reserved

Hug chair

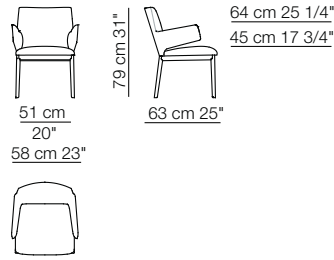


Hug chair  
Match table  
Alba bookcase

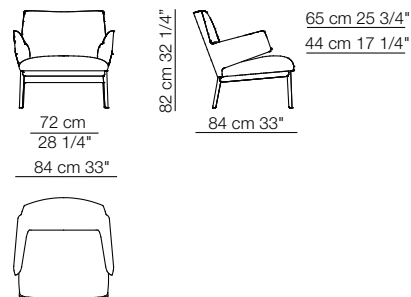


## HUG

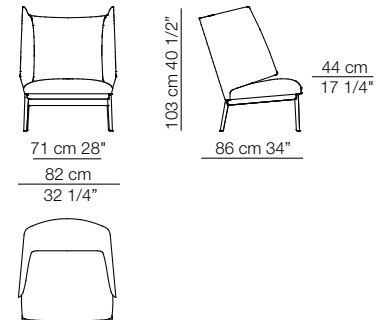
Sedia  
Chair



Poltrona con schienale basso  
Armchair with low backrest

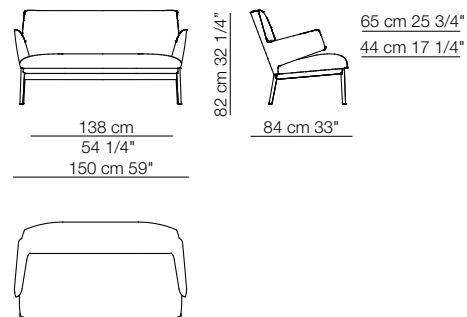


Poltrona con schienale alto  
Armchair with high backrest



## HUG LOVE SEAT

Divano con schienale basso  
Sofa with low backrest



Divano con schienale alto  
Sofa with high backrest

